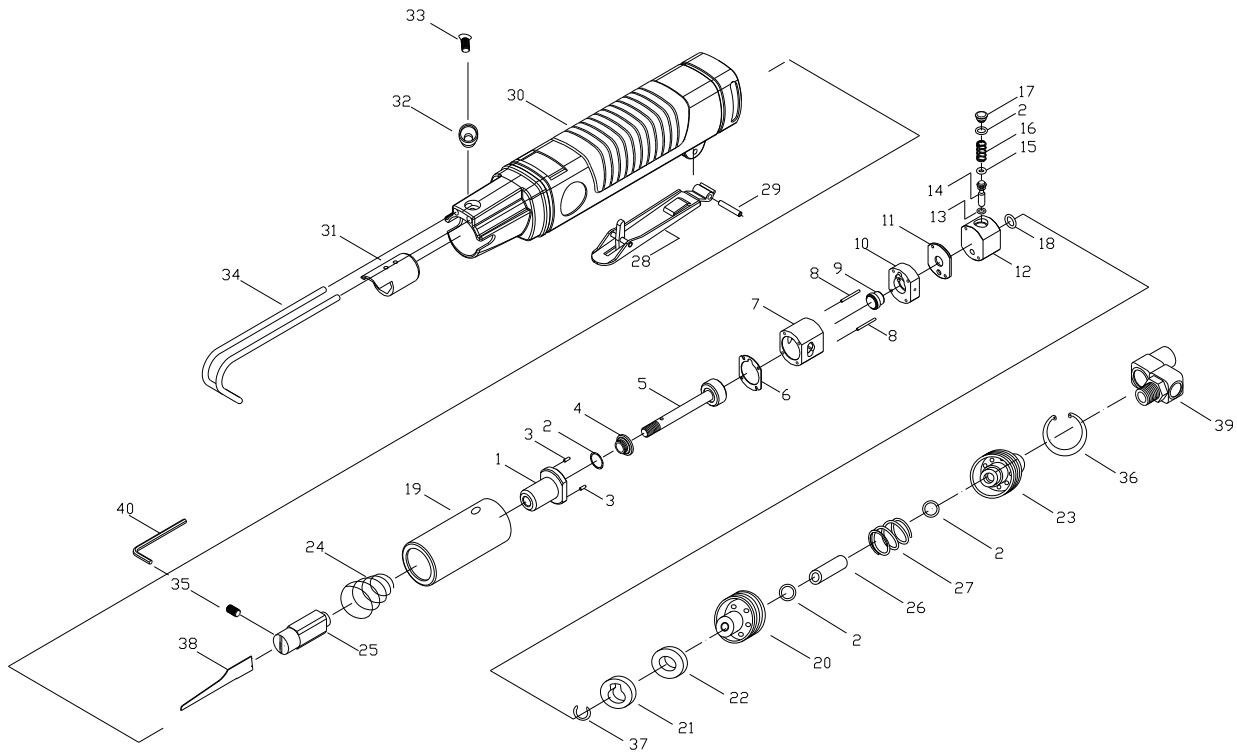




A-311 Anti-Vibration Air Body Saw



Index No.	Parts No.	Description	Index No.	Parts No.	Description	Index No.	Parts No.	Description
1	31101	Cylinder Head Ass'y	17	31117	Valve Cap	33	31133	Screw
2	31102	O-Ring (4)	18	31118	Rubber Washer	34	31134	Holder
3	31103	Front Dowel Pin (2)	19	31119	Main Liner	35	31135	Set Screw
4	31104	Bumper	20	31120	Adaptor	36	31136	Retaining Ring
5	31105	Piston Ass'y	21	31121	Muffler Cap	37	31137	Retaining Ring
6	31106	Gasket	22	31122	Muffler	38	31138-18	18T Saw Blade
7	31107	Cylinder	23	31123	Air Inlet		31138-24	24T Saw Blade
8	31108	Rear Dowel Pin (2)	24	31124	Shock Absorbent Spring		31138-32	32T Saw Blade
9	31109	Automatic Valve	25	31125	Blade Holder Ass'y	39	31139-1	1/4"NPT Universal Swivel
10	31110	Valve Chest	26	31126	Connecting Hose			Air Inlet Joint (opt.)
11	31111	Valve Seat	27	31127	Spring	40	31140	3mm Hex Wrench
12	31112	Valve Case	28	31128	Safety Lever Ass'y			
13	31113	O-Ring	29	31129	Spring Pin			
14	31114	Valve Stem	30	31130	Body			
15	31115	O-Ring	31	31131	Sliding Linder			
16	31116	Spring	32	31132	Spacer			