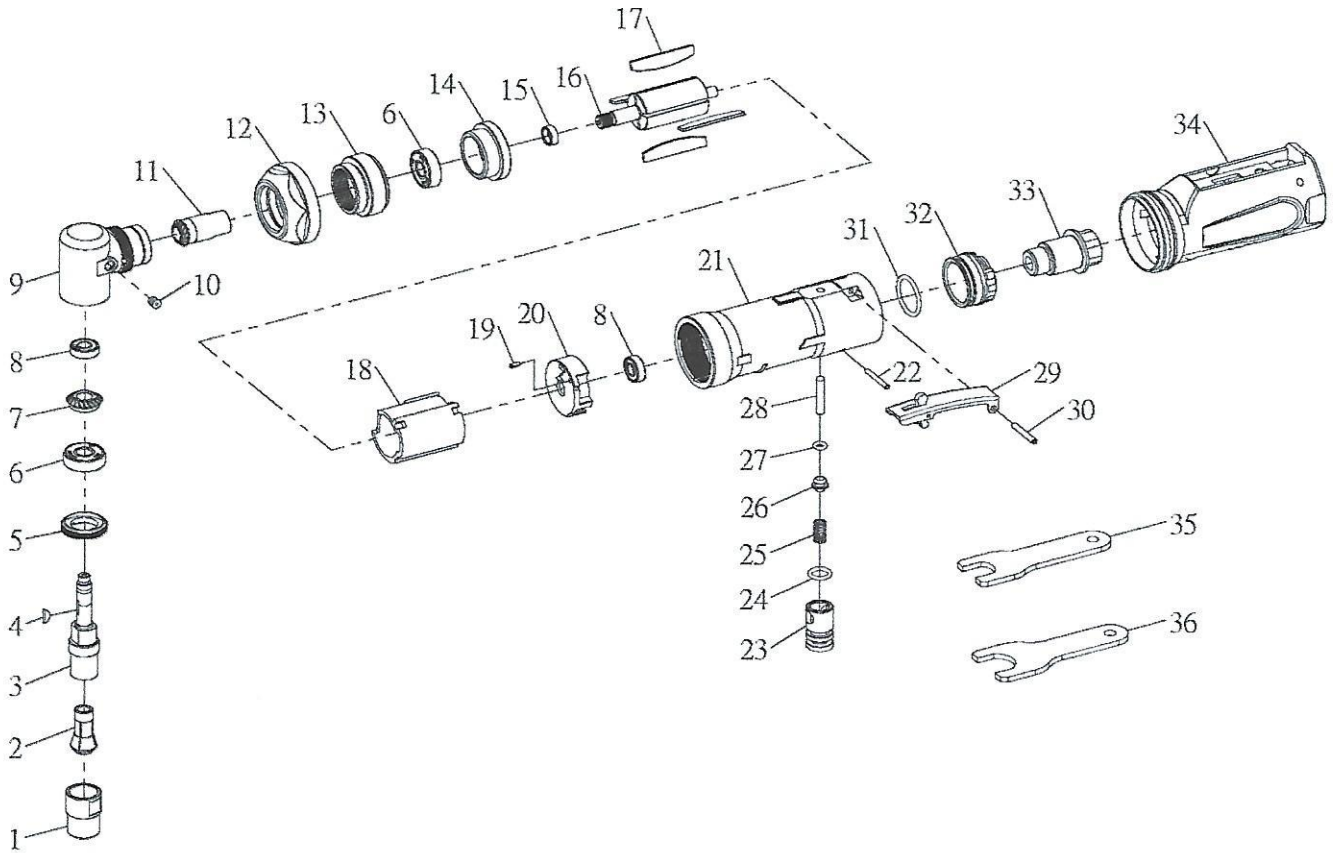




# A-5227NK 6MM Mini Angle Die Grinder



Index No.	Parts No.	Description	Q'ty	Index No.	Parts No.	Description	Q'ty
1	5227NK#01	Collet Nut	1	19	5227NK#19	Spring Pin	1
2	5227NK#02	1/4" Collet	1	20	5227NK#20	Rear End Plate	1
3	5227NK#03	Spindle	1	21	5227NK#21	Motor Housing	1
4	5227NK#04	Key	1	22	5227NK#22	Spring Pin (2.5x16)	1
5	5227NK#05	Clamp Nut	1	23	5227NK#23	Air Regulator	1
6	5227NK#06	Ball Bearing (608ZZ)	2	24	5227NK#24	O-Ring	1
7	5227NK#07	Spindle Gear	1	25	5227NK#25	Valve Spring	1
8	5227NK#08	Ball Bearing (696ZZ)	2	26	5227NK#26	Throttle Valve	1
9	5227NK#09	Angle Head Housing	1	27	5227NK#27	O-Ring	1
10	5227NK#10	Grease Fitting	1	28	5227NK#28	Valve Shaft	1
11	5227NK#11	Pinion	1	29	5227NK#29	Safety Lever	1
12	5227NK#12	Coupling Nut	1	30	5227NK#30	Spring Pin (3x22)	1
13	5227NK#13	Lock Ring	1	31	5227NK#31	O-Ring	1
14	5227NK#14	Front End Plate	1	32	5227NK#32	Exhaust Sleeve	1
15	5227NK#15	Bearing Spacer	1	33	5227NK#33	Inlet Bushing	1
16	5227NK#16	Rotor	1	34	5227NK#34	Housing Cover	1
17	5227NK#17	Rotor Blade	4	35	5227NK#35	#17mm Spanner	1
18	5227NK#18	Cylinder	1	36	5227NK#36	#11mm Spanner	1