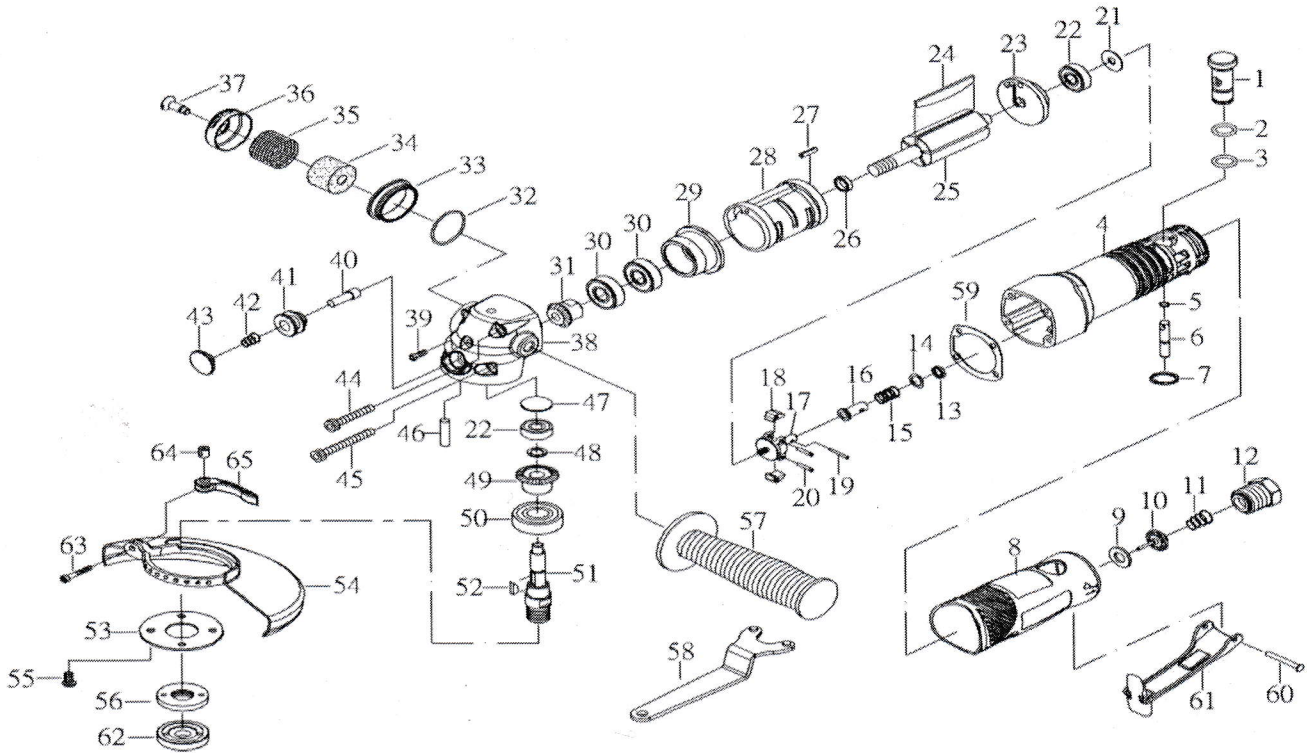




A-6192UP 5" HEAVY DUTY ANGLE GRINDER



INDEX NO.	Parts No.	Description	Q'ty	INDEX NO.	Parts No.	Description	Q'ty
1	A-6192UP01	REGULATOR	1	34	A-6192UP34	SILENCER	1
2	A-6192UP02	O-RING (P10)	1	35	A-6192UP35	STAINLESS MESH	1
3	A-6192UP03	O-RING (P9)	1	36	A-6192UP36	EXHAUST SLEEVE	1
4	A-6192UP04	HOUSING(WARM RED)	1	37	A-6192UP37	ADAPTER	1
5	A-6192UP05	O-RING (3.5*1.4)	1	38	A-6192UP38	ANGLE HOUSING	1
6	A-6192UP06	VALVE STEM	1	39	A-6192UP39	SCREW (M5*6L)	1
7	A-6192UP07	SNAP RING	1	40	A-6192UP40	SHAFT STEM	1
8	A-6192UP08	PROTECTING RUBBER	1	41	A-6192UP41	BUSHING	1
9	A-6192UP09	WASHER	1	42	A-6192UP42	SPRING	1
10	A-6192UP10	VALVE	1	43	A-6192UP43	PUSH BUTTON	1
11	A-6192UP11	SPRING	1	44	A-6192UP44	SCREW (M5*45L)	2
12	A-6192UP12	INLET BUSHING	1	45	A-6192UP45	SCREW (M5*55L)	2
13	A-6192UP13	SPRING HOLDER	1	46	A-6192UP46	PIN (3*12L)	1
14	A-6192UP14	WASHER (14*9.5*0.5T)	1	47	A-6192UP47	SPACER	1
15	A-6192UP15	SPRING (9.7*1.2T*16.5)	1	48	A-6192UP48	RETAINING RING	1
16	A-6192UP16	GOVERNOR VALVE	1	49	A-6192UP49	BEVEL GEAR (19T)	1
17	A-6192UP17	GOVERNOR CAGE	1	50	A-6192UP50	BEARING (6202ZZ)	1
18	A-6192UP18	GOVERNOR WEIGHT	2	51	A-6192UP51	SHAFT (M14*2P)	1
19	A-6192UP19	PIN (2*11.8L)	1	52	A-6192UP52	KEY	1
20	A-6192UP20	GOVERNOR PIN	2	53	A-6192UP53	FACE PLATE	1
21	A-6192UP21	WASHER	2	54	A-6192UP54	DISC COVER (5")	1
22	A-6192UP22	BEARING (608ZZ)	2	55	A-6192UP55	SCREW	4
23	A-6192UP23	REAR PLATE	1	56	A-6192UP56	DISC NUT (M14*2P)	1
24	A-6192UP24	ROTOR BLADE	5	57	A-6192UP57	HANDLE	1
25	A-6192UP25	ROTOR	1	58	A-6192UP58	DISC SPANNER (5")	1
26	A-6192UP26	BEARING SPACER	1	59	A-6192UP59	PACKING	1
27	A-6192UP27	PIN (3*8L)	1	60	A-6192UP60	SPRING PIN	1
28	A-6192UP28	CYLINDER	1	61	A-6192UP61	SAFETY THROTTLE	1
29	A-6192UP29	FRONT PLATE	1	62	A-6192UP62	DISC NUT (M14*2P)	1
30	A-6192UP30	BEARING (6000ZZ)	2	63	A-6192UP63	SCREW (M4*22L)	1
31	A-6192UP31	BEVEL GEAR (13T)	1	64	A-6192UP64	BUSHING	1
32	A-6192UP32	O-RING (26.7*1.78 A-023)	1	65	A-6192UP65	TRIGGER	1
33	A-6192UP33	BUSHING	1				