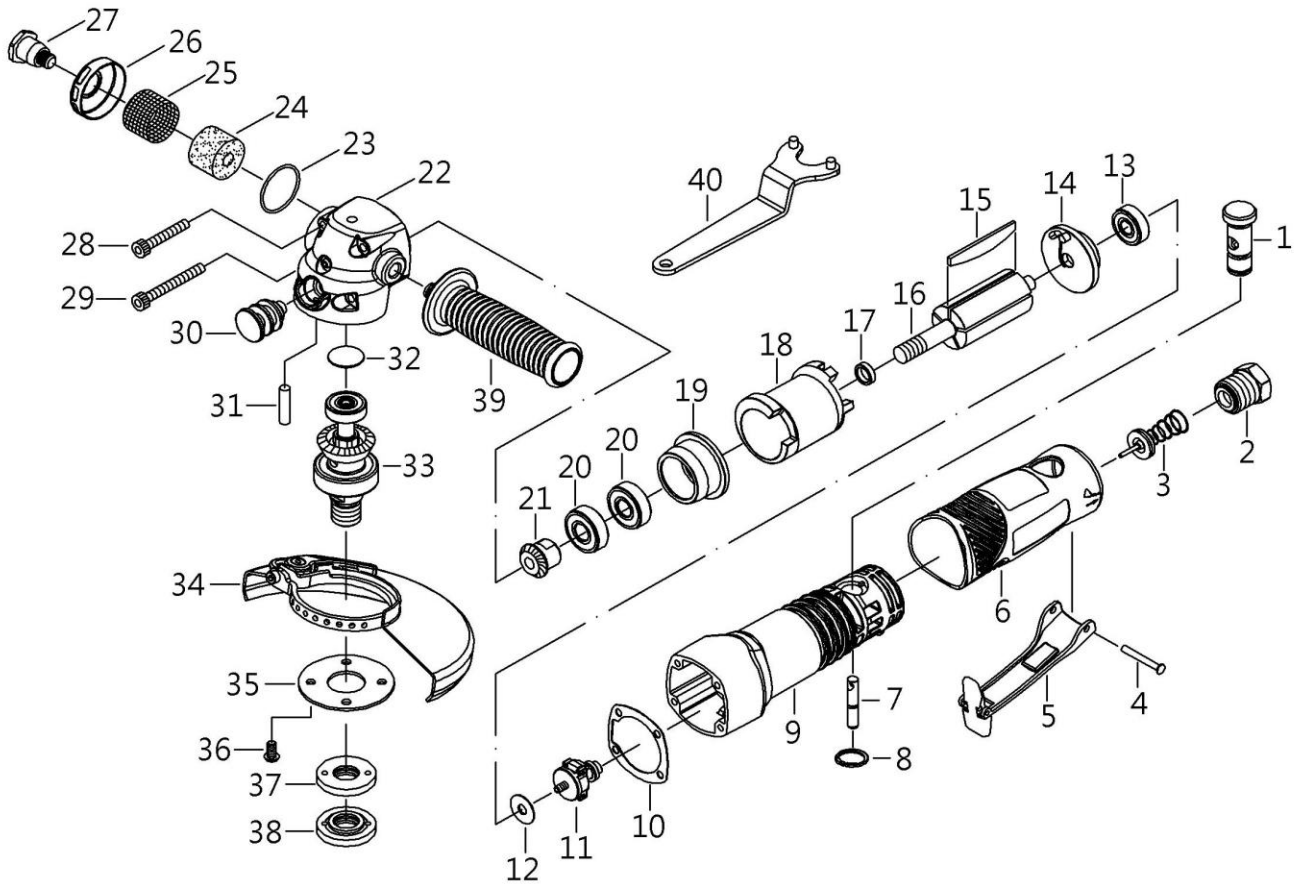




A-6192UP 5" HEAVY DUTY ANGLE GRINDER



Index No.	Parts No.	Description	Q'ty	Index No.	Parts No.	Description	Q'ty
1	A-6192UP01	REGULATOR SET	1	21	A-6192UP21	BEVEL GEAR (13T)	1
2	A-6192UP02	AIR INLET	1	22	A-6192UP22	ANGLE HOUSING SET	1
3	A-6192UP03	VALVE SET	1	23	A-6192UP23	O-RING (26.7*1.78 A-023)	1
4	A-6192UP04	SPRING PIN	1	24	A-6192UP24	SILENCER	1
5	A-6192UP05	SAFETY THROTTLE	1	25	A-6192UP25	STAINLESS MESH	1
6	A-6192UP06	PROTECTING RUBBER	1	26	A-6192UP26	EXHAUST SLEEVE	1
7	A-6192UP07	VALVE STEM SET	1	27	A-6192UP27	ADAPTER	1
8	A-6192UP08	SNAP RING	1	28	A-6192UP28	SCREW (M5*45L)	2
9	A-6192UP09	HOUSING	1	29	A-6192UP29	SCREW (M5*55L)	2
10	A-6192UP10	PACKING	1	30	A-6192UP30	SPINDLE LOCK SET	1
11	A-6192UP11	GOVERNOR CAGE SET	1	31	A-6192UP31	PIN (3*12L)	1
12	A-6192UP12	WASHER	1	32	A-6192UP32	SPACER	1
13	A-6192UP13	BEARING (608ZZ)	1	33	A-6192UP33	SHAFT SET (M14*2P)	1
14	A-6192UP14	REAR PLATE SET	1	34	A-6192UP34	DISC COVER SET (5")	1
15	A-6192UP15	ROTOR BLADE	5	35	A-6192UP35	FACE PLATE	1
16	A-6192UP16	ROTOR	1	36	A-6192UP36	SCREW	4
17	A-6192UP17	BEARING SPACER	1	37	A-6192UP37	DISC NUT (M14*2P)	1
18	A-6192UP18	CYLINDER	1	38	A-6192UP38	DISC NUT (M14*2P)	1
19	A-6192UP19	FRONT PLATE	1	39	A-6192UP39	HANDLE	1
20	A-6192UP20	BEARING (6000ZZ)	2	40	A-6192UP40	DISC SPANNER (180mm)	1