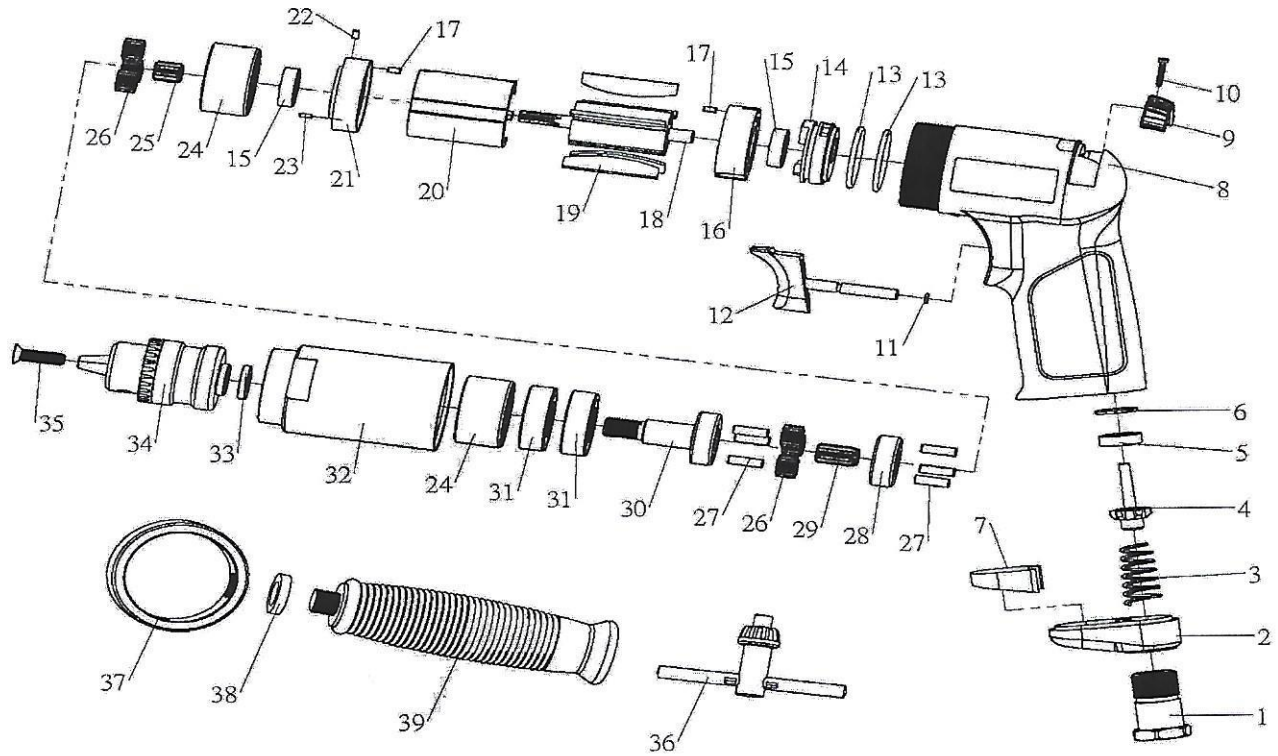




A-6212N-KR 1/2" Reversible Drill



Index No.	Parts No.	Description	Q'ty	Index No.	Parts No.	Description	Q'ty
1	6212N-KR#01	INLET BUSHING	1	21	6212N-KR#21	FRONT PLATE	1
2	6212N-KR#02	DEFLECTOR	1	22	6212N-KR#22	SPRING PIN(M2.5x4)	1
3	6212N-KR#03	VALVE SPRING	1	23	6212N-KR#23	PIN(ϕ 1.5x4.8L)	1
4	6212N-KR#04	VALVE	1	24	6212N-KR#24	INTERNAL GEAR	2
5	6212N-KR#05	VALVE SEAT	1	25	6212N-KR#25	PINION GEAR	1
6	6212N-KR#06	SPACER	1	26	6212N-KR#26	IDLER GEAR	6
7	6212N-KR#07	SILENCER	1	27	6212N-KR#27	PIN(ϕ 4x13.8)	6
8	6212N-KR#08	COMPOSITE HOUSING	1	28	6212N-KR#28	REDUCTION SPINDLE	1
9	6212N-KR#09	REVERSE VALVE LEVER	1	29	6212N-KR#29	REDUCTION GEAR	1
10	6212N-KR#10	TAPING SCREW(ϕ 2.3x12L)	1	30	6212N-KR#30	WARK SPINDLE	1
11	6212N-KR#11	O-RING(3x1)	1	31	6212N-KR#31	BALL BEARING(6201zz)	2
12	6212N-KR#12	TRIGGER	1	32	6212N-KR#32	GEAR HOUSING	1
13	6212N-KR#13	O-RING(27x2)	2	33	6212N-KR#33	CHUCK SPACER	1
14	6212N-KR#14	VALVE BODY	1	34	6212N-KR#34	DRILL CHUCK (1/2")	1
15	6212N-KR#15	BEARING(626)	2	35	6212N-KR#35	SCREW(M5x20L)	1
16	6212N-KR#16	REAR PLATE	1	36	6212N-KR#36	KEY(1/2")	1
17	6212N-KR#17	SPRING PIN	2	37	6212N-KR#37	CLAMP RING	1
18	6212N-KR#18	ROTOR	1	38	6212N-KR#38	RUBBER GASKET	1
19	6212N-KR#19	ROTOR BLADE	5	39	6212N-KR#39	HAND HANDLE	1
20	6212N-KR#20	CYLINDER	1				