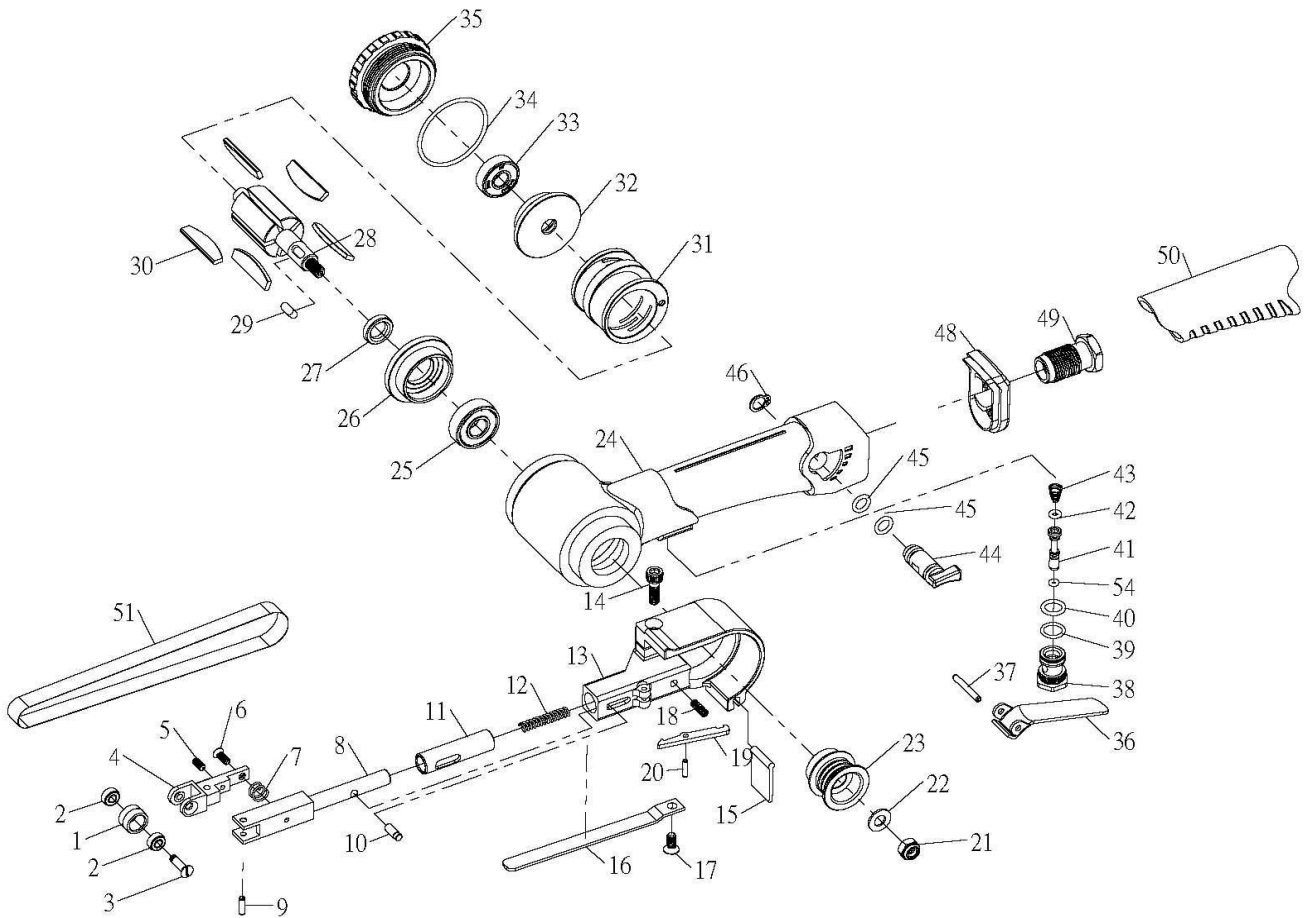




A-BS10 Air Belt Sander



Index No.	Parts No.	Description	Q'ty
01	BS1001	Idle Pulley	1
02	BS1002	Ball Bearing (684zz)	2
03	BS1003	Idle Pulley Screw	1
04	BS1004	Bracket 10	1
05	BS1005	Set Screw (M3×8)	1
06	BS1006	Hexagon Socket Headless Set Screw	1
07	BS1007	Spring	1
08	BS1008	Tension Bar	1
09	BS1009	Spring Pin (ψ3×10)	1
10	BS1010	Stopper Pin	1
11	BS1011	Guard Bushing	1
12	BS1012	TenSion Spring	1
13	BS1013	Guard Sub Ass'y 11	1
14	BS1014	Head Cap Screw (M5×15)	1
15	BS1015	Dust Cover	1
16	BS1016	Shoe 10	1
17	BS1017	Hexagon Socket Headless Set Screw	1
18	BS1018	Stopper Spring	1
19	BS1019	Stopper	1
20	BS1020	Spring Pin (ψ2.5×10)	1
21	BS1021	Hexagon Nut (M6)	1
22	BS1022	Washer (M6)	1
23	BS1023	Drive Pulley	1
24	BS1024	Housing	1
25	BS1025	Ball Bearing (6000ZZ)	1
26	BS1026	Front End Plate	1

Index No.	Parts No.	Description	Q'ty
27	BS1027	Spacer	1
28	BS1028	Rotor	1
29	BS1029	Parallel Key Both Ends Round 4×4×9.5	1
30	BS1030	Rotor Blade	5
31	BS1031	Cylinder	1
32	BS1032	Rear End Plate	1
33	BS1033	Ball Bearing (608zz)	1
34	BS1034	O-Ring (S38)	1
35	BS1035	Cap	1
36	BS1036	Throttle Lever	1
37	BS1037	Throttle Pin (ψ3×20)	1
38	BS1038	Valve Body	1
39	BS1039	O-Ring (S11.2)	1
40	BS1040	O-Ring (P-9)	1
41	BS1041	Valve Stem	1
42	BS1042	O-Ring (P3)	1
43	BS1043	Valve Spring	1
44	BS1044	Air Regulator	1
45	BS1045	O-Ring (P7)	2
46	BS1046	External Stop Ring (STW-8)	1
48	BS1048	Exhaust Diffuser	1
49	BS1049	Inlet Bushing	1
50	BS1050	Housing Cover	1
51	BS1051	Grinding Belt (#100×10)	1
52	BS1052	Grinding Belt (#80×10)	1
53	BS1053	Grinding Belt (#120×10)	1
54	BS1054	O-Ring (AS-004)	1