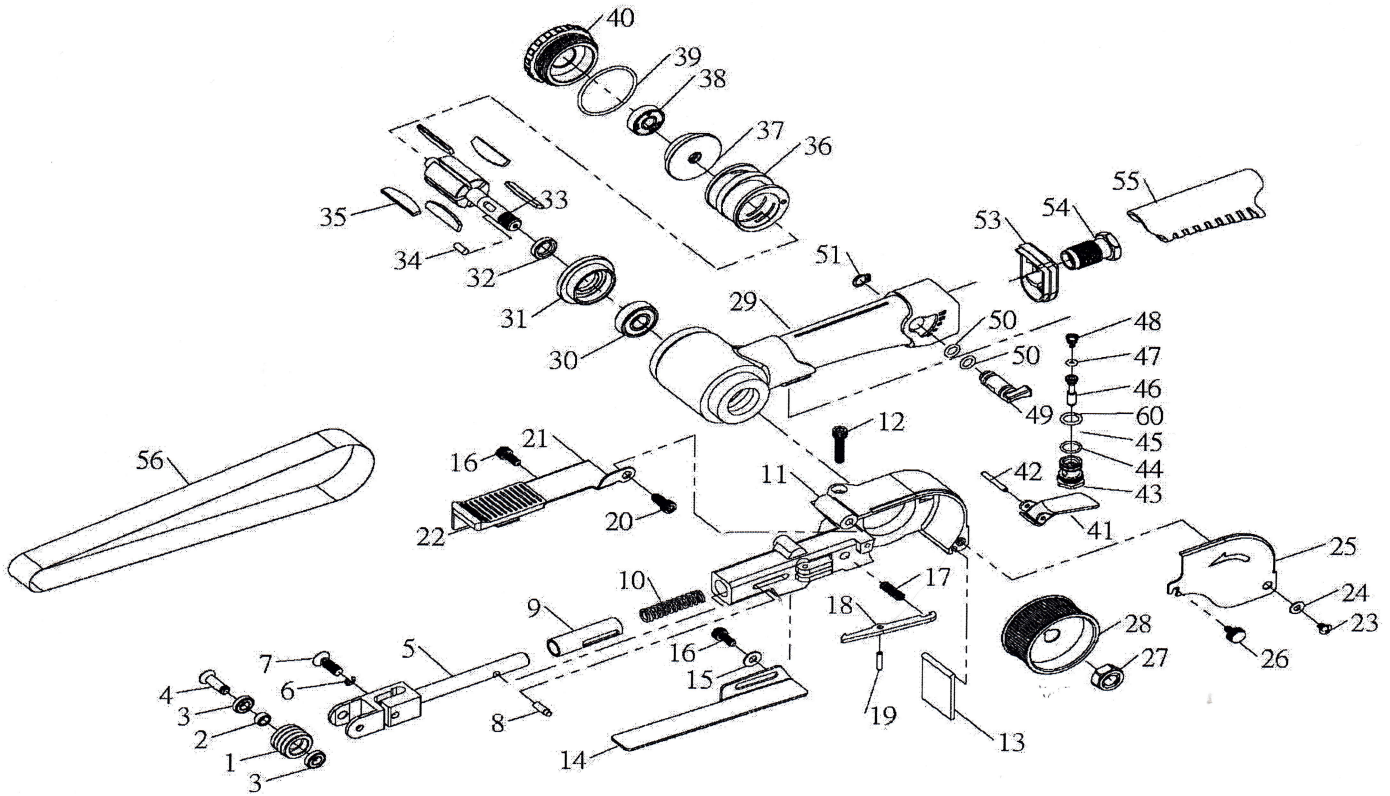




# A-BS20 AIR BELT SANDER



Index No.	Parts No.	Description	Q'ty	Index No.	Parts No.	Description	Q'ty
1	BS2001	Idle Pulley	1	30	BS2030	Ball Bearing (6000ZZ)	1
2	BS2002	Washer	1	31	BS2031	Front End Plate	1
3	BS2003	Ball Bearing (686zz)	2	32	BS2032	Spacer	1
4	BS2004	Idle Pulley Screw (M6×16)	1	33	BS2033	Rotor	1
5	BS2005	Tension Bar	1	34	BS2034	Parallel Key Both Ends Round 4×4×9.5	1
6	BS2006	E-Ring (E3)	1	35	BS2035	Rotor Blade	5
7	BS2007	Screw (M6×14)	1	36	BS2036	Cylinder	1
8	BS2008	Stopper Pin	1	37	BS2037	Rear End Plate	1
9	BS2009	Guard Bushing	1	38	BS2038	Ball Bearing (608zz)	1
10	BS2010	Tension Spring	1	39	BS2039	O-Ring (S38)	1
11	BS2011	Guard Sub Ass'y 9	1	40	BS2040	Cap	1
12	BS2012	Head Cap Screw (M5×30)	1	41	BS2041	Throttle Lever	1
13	BS2013	Dust Cover	1	42	BS2042	Spring Pin (ψ3×20)	1
14	BS2014	Shoe	1	43	BS2043	Valve Body	1
15	BS2015	Washer (M5)	1	44	BS2044	O-Ring (S11.2)	1
16	BS2016	Cap Screw (M5×10)	2	45	BS2045	O-Ring (P-9)	1
17	BS2017	Stopper Spring	1	46	BS2046	Valve Stem	1
18	BS2018	Stopper	1	47	BS2047	O-Ring (P3)	1
19	BS2019	Spring Pin (ψ3×12)	1	48	BS2048	Valve Spring	1
20	BS2020	Pan Head Screw (M6×10)	1	49	BS2049	Air Regulator	1
21	BS2021	Finger Plate	1	50	BS2050	O-Ring (P7)	2
22	BS2022	anti-slip spacer	1	51	BS2051	External Stop Ring(STW-8)	1
23	BS2023	Pan Head Screw (M4×6)	1	53	BS2053	Exhaust Diffuser	1
24	BS2024	Washer (M4)	1	54	BS2054	Inlet Bushing	1
25	BS2025	Belt Cover	1	55	BS2055	Housing Cover	1
26	BS2026	Decorative Screw (M4×8)	1	56	BS2056	Grinding Belt (#100×20)	1
27	BS2027	Hex.Nut M10	1	57	BS2057	Grinding Belt (#80×20)	1
28	BS2028	Drive Pulley	1	★59	BS2059	Nonwoven abrasive belt (#240)	1
29	BS2029	Housing	1	60	BS2060	O-Ring (AS-004)	1