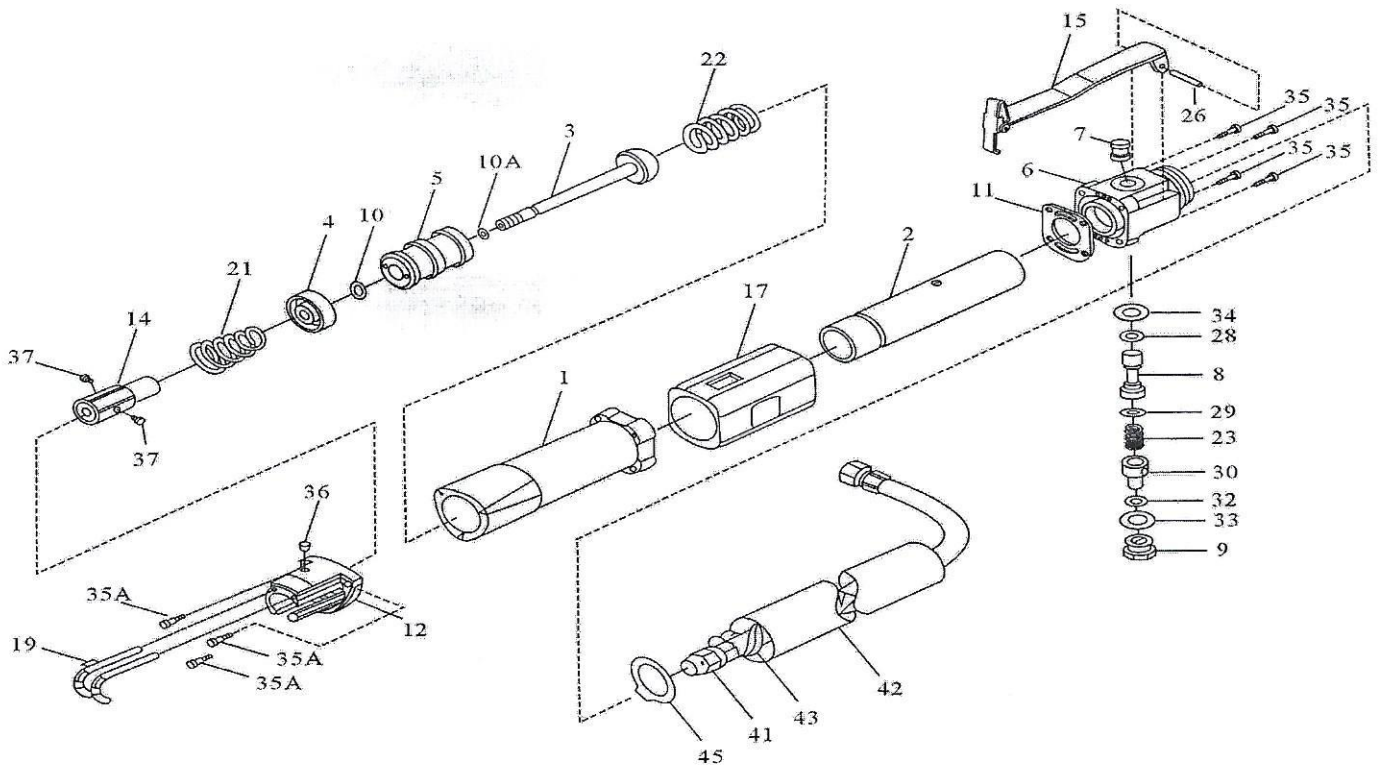




A-SAW Heavy Duty Air Body Saw



Index No.	Parts No.	Description	Q'ty	Index No.	Parts No.	Description	Q'ty
1	SAW#01	BODY	1	22	SAW#22	REAR CUSHION SPRING	1
2	SAW#02	CYLINDER	1	23	SAW#23	CONE SPRING	1
3	SAW#03	PISTON ROD	1	26	SAW#26	SPRING PIN($\psi 3*23$)	1
4	SAW#04	OPERATE PISTON	1	28	SAW#28	O-RING(P006)	1
5	SAW#05	WORK PISTON	1	29	SAW#29	O-RING(P5)	1
6	SAW#06	VALVE CASE COMP	1	30	SAW#30	AIR REGULATOR	1
7	SAW#07	VALVE BUSH	1	32	SAW#32	O-RING(P6)	1
8	SAW#08	VALVE PIN	1	33	SAW#33	O-RING(P11)	1
9	SAW#09	VALVE CAP	1	34	SAW#34	O-RING(P10.82*1.78)	1
10	SAW#10	O-RING($\psi 9.19*2.62$)	1	35	SAW#35	CAP SCREW(M3*18)	4
10A	SAW#10A	PACKING	1	35A	SAW#35A	CAP SCREW(M3*12)	3
11	SAW#11	PACKING	1	36	SAW#36	SET SCREW(M4*3)	1
12	SAW#12	HEAD	1	37	SAW#37	SET SCREW(M8*8)	2
14	SAW#14	SAW BLADE HOLDER	1	41	SAW#41	HOSE ASSY 1/4	1
15	SAW#15	LEVER ASSEMBLY	1	42	SAW#42	EXHAUST HOSE	1
17	SAW#17	GRIP RUBBER	1	43	SAW#43	SPONGE	1
19	SAW#19	GUARD	1	45	SAW#45	STOP RING	1
21	SAW#21	Front cushion spring	1				