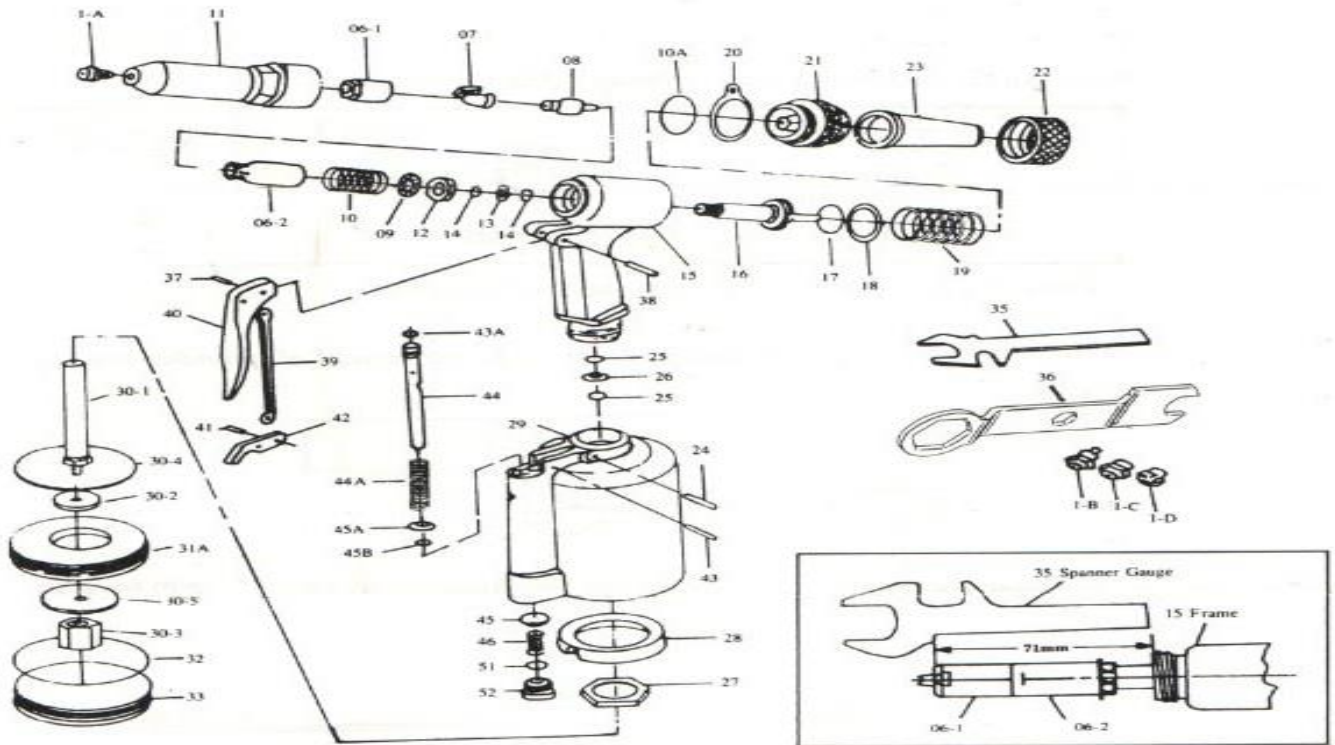




# AHR-101 3/16" Air Riveter



Parts No.	Description	Parts No.	Description
101-1A	Nosepiece(3/16")	101-28	Rubber Cushion
101-1B	Nosepiece(5/32")	101-29	Air Cylinder
101-1C	Nosepiece(1/8")	101-30-1	Air Piston Stem
101-1D	Nosepiece(3/32")	101-30-2	Air Piston AI
101-06-1	Jaw Case Front Tart (3/32",1/8,5/32")	101-30-3	Air Piston Lock Nut
101-06-2	Jaw Case End Tart	101-30-4	Big Iron Plate
101-07	Jaw	101-30-5	Small Iron Plate
101-08	Jaw Pusher	101-31A	Air Piston Ring
101-09	Case Washer Ring	101-32	Cylinder O Ring 67.94x2.62
101-10	Jaw Pusher Spring	101-33	Cylinder Cap
101-10A	Frame Cap O Ring 27x2	101-35	Spanner Gauge
101-11	Frame Head	101-36	Spanner
101-12	Case Lock Nut	101-37	Trigger Pin
101-13	Back Up Ring	101-38	Connector
101-14	Back Up O Ring P12	101-39	Trigger Rod
101-15	Frame	101-40	Trigger
101-16	Oil Piston	101-41	Connector
101-17	Oil Piston O Ring P22A	101-42	Trigger Lever
101-18	Back Up Ring	101-43	Lever Pin
101-19	Return Spring	101-43A	Valve Pusher O Ring P7
101-20	Hanging Clip	101-44	Valve Pusher
101-21	Frame Cap	101-44A	Valve Spring
101-24	Setting Serew Pin	101-45	Valve
101-25	Back Up O Ring 12	101-45A	Valve Collar
101-26	Back Up Ring	101-45B	Collar O Ring P5
101-22	Frame Cap Nut	101-46	Valve Spring
101-23	Safety Cap	101-51	Valve Cap O Ring P11
101-27	Frame Lock Nut	101-52	Valve Cap