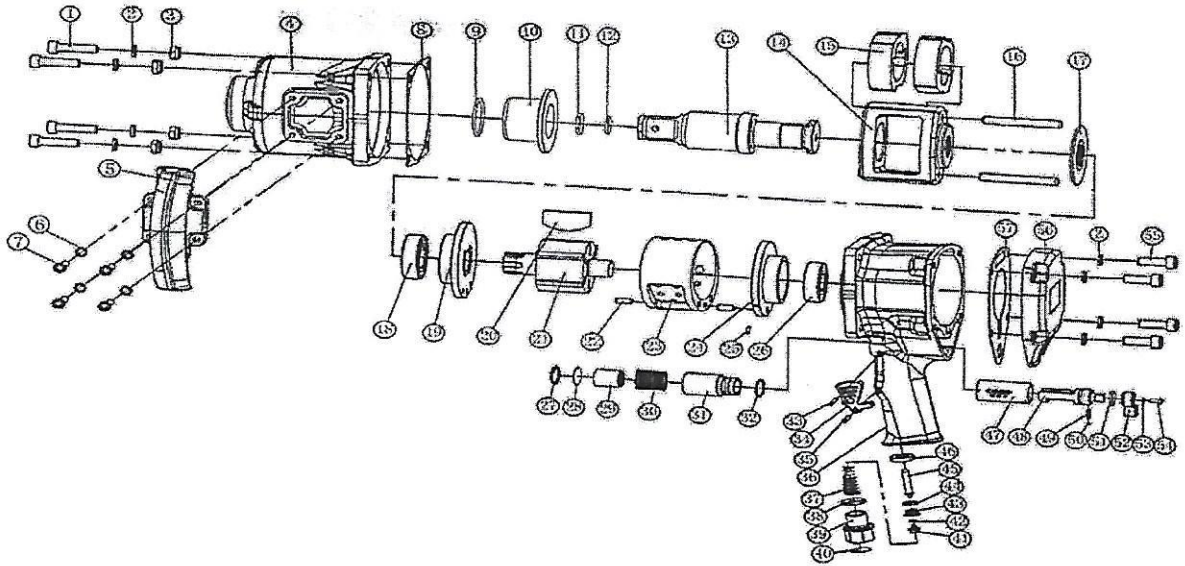




S-TA1PIS Air Impact Wrench



Index No.	Parts No.	Description	Q'ty	Index No.	Parts No.	Description	Q'ty
1	TA1PIS#01	Hex Screw	1	30	TA1PIS#30	Mesh	1
2	TA1PIS#02	Gasket	1	31	TA1PIS#31	Silencer	1
3	TA1PIS#03	Nut	1	32	TA1PIS#32	O-Ring	1
4	TA1PIS#04	Hammer Case	1	33	TA1PIS#33	Pin	1
5	TA1PIS#05	D-Handle	1	34	TA1PIS#34	Trigger	1
6	TA1PIS#06	Gasket	1	35	TA1PIS#35	Pin	1
7	TA1PIS#07	Hex Screw	1	36	TA1PIS#36	Handle	1
8	TA1PIS#08	Gasket	1	37	TA1PIS#37	Inlet Spring	1
9	TA1PIS#09	O-Ring	1	38	TA1PIS#38	O-Ring	1
10	TA1PIS#10	Anvil Bushing	1	39	TA1PIS#39	Air Inlet	1
11	TA1PIS#11	Circlip	1	40	TA1PIS#40	Air Inlet Scree	1
12	TA1PIS#12	O-Ring	1	41	TA1PIS#41	Inlet Valve	1
13	TA1PIS#13	Anvil	1	42	TA1PIS#42	O-Ring	1
14	TA1PIS#14	Hammer Cage	1	43	TA1PIS#43	Inlet Valve	1
15	TA1PIS#15	Hammer	1	44	TA1PIS#44	Rubber Gasket	1
16	TA1PIS#16	Hammer Pin	1	45	TA1PIS#45	Throttle Valve	1
17	TA1PIS#17	Gasket	1	46	TA1PIS#46	Inlet Gasket	1
18	TA1PIS#18	Boaring	1	47	TA1PIS#47	Throttle Bush	1
19	TA1PIS#19	Front End Plate	1	48	TA1PIS#48	Throttle Valve	1
20	TA1PIS#20	Vane	1	49	TA1PIS#49	Spring	1
21	TA1PIS#21	Rotor	1	50	TA1PIS#50	Steel Ball	1
22	TA1PIS#22	Pin	1	51	TA1PIS#51	O-Ring	1
23	TA1PIS#23	Cylinder	1	52	TA1PIS#52	Timming Buttom	1
24	TA1PIS#24	Rear End Plate	1	53	TA1PIS#53	Gasket	1
25	TA1PIS#25	Pin	1	54	TA1PIS#54	Screw	1
26	TA1PIS#26	Pearing	1	55	TA1PIS#55	Hex Screw	1
27	TA1PIS#27	Circlip	1	56	TA1PIS#56	Back Cover	1
28	TA1PIS#28	Gasket	1	57	TA1PIS#57	Gasket	1
29	TA1PIS#29	Sponge	1				