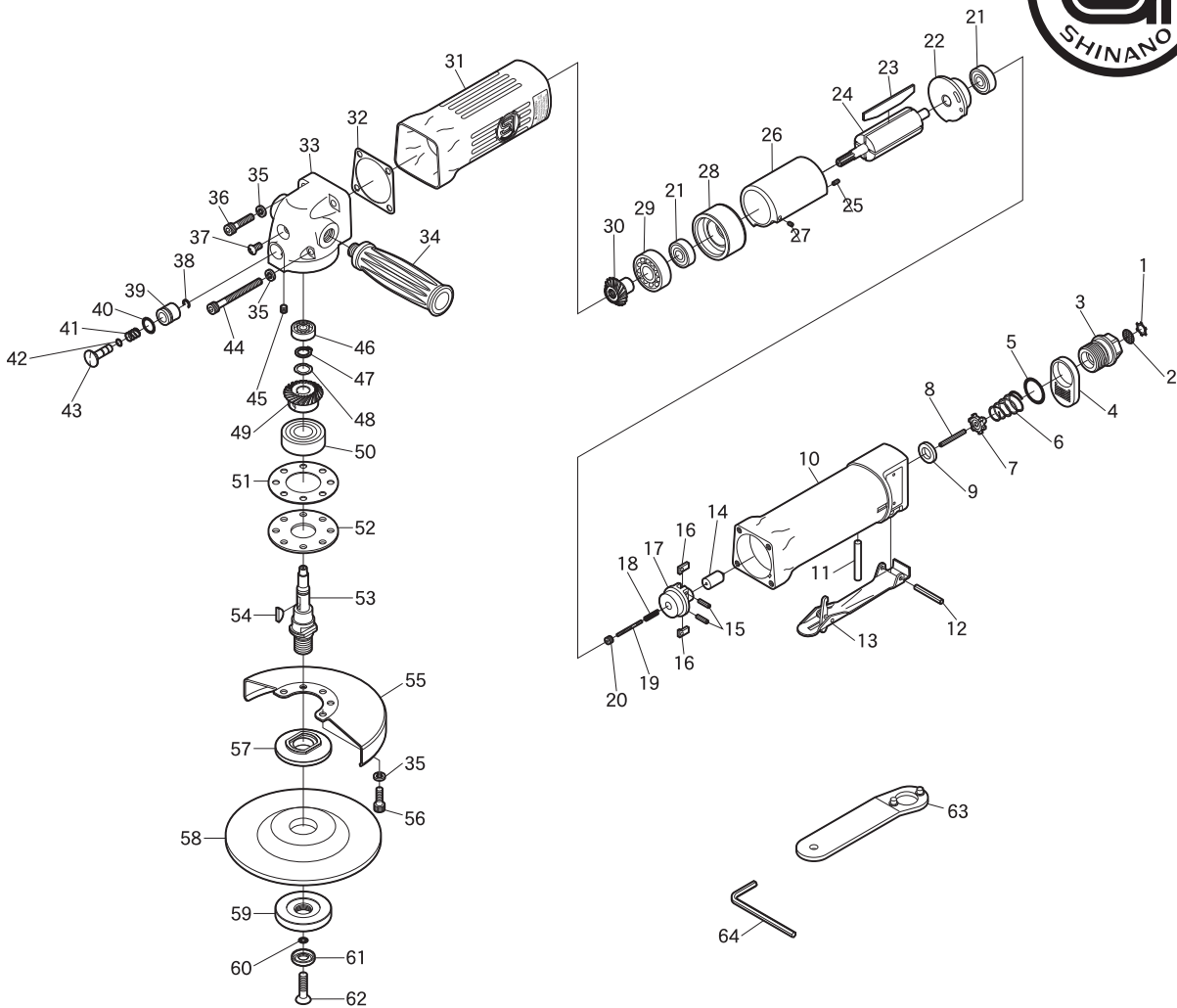


SI-2515LA

5" Disc Grinder-Rear Exhaust



Ref. No.	Parts No.	Description	Q'ty	Ref. No.	Parts No.	Description	Q'ty
1	CRTW-12	Retainer	1	33	240RL-2A	Angle Head	1
2	680-28A	Screen	1	34	240B-2	Handle	1
3	991-5	Inlet Bushing	1	35	HSW-50	Washer	9
4	240RL-5	Deflector	1	36	Z-M50--220	Cap Screw	2
5	991-7	O-Ring	1	37	F-M60--80	Screw	1
6	960-32	Valve Spring	1	38	CE-6	Retaining Ring	1
7	960-35	Valve	1	39	240RL-13	Bush	1
8	30-28	Roll Pin(3Ø-28mm)	1	40	S-11.2	O-Ring	1
9	960-34	Valve Seat	1	41	240RL-11	Spring	1
10	240RL-1	Motor Housing	1	42	241RL-5	O-Ring	1
11	510A-6	Valve Pin	1	43	240RL-10A	Stopper	1
12	40-30	Roll Pin(4Ø-30mm)	1	44	Z-M50--500	Cap Screw	2
13	240-68	Throttle Lever	1	45	ROM50---50	Set Screw	1
14	240-31	Plunger	1	46	626	Ball Bearing	1
15	30-12	Roll Pin(3Ø-12mm)	2	47	JS-10	Retaining Ring	1
16	240-30	Pendulum	6	48	WW-100	Wave Washer	1
17	240-29	Governor	1	49	241-8A	Bevel Gear	1
18	240-34	Governor Spring	1	50	6202ZZ	Ball Bearing	1
19	240-32	Adjust Screw	1	51	240-5	Gasket	1
20	240-33	Adjust Nut	1	52	240-4	Retainer	1
21	608ZZ	Ball Bearing	2	53	241-14-3A	Spindle	1
22	240RL-9	Rear Plate	1	54	480-23	Key	1
23	650-13	Rotor Blade	4	55	241-5	Disc Cover	1
24	240-23	Rotor	1	56	Z-M50--150	Cap Screw	5
25	25-6	Roll Pin(2.5Ø-6mm)	1	57	241-14-1A	Disc Receiver	1
26	240RL-7	Cylinder	1	58	241-49	5" Disc	1
27	25-4	Roll Pin(2.5Ø-4mm)	1	59	241-14-2A	Disc Nut	1
28	240RL-8	Front Plate	1	60	2011AC-56	O-Ring	1
29	6201	Ball Bearing	1	61	2011AC-55A	Washer	1
30	241-9	Pinion Gear	1	62	Y-M60--250	Cap Screw	1
31	240RL-3	Housing Cover	1	63	510-2	Pin Wrench (5Øx30mm)	1
32	240RL-4	Motor Gasket	1	64	WRA-4	4 mm Allen Wrench	1