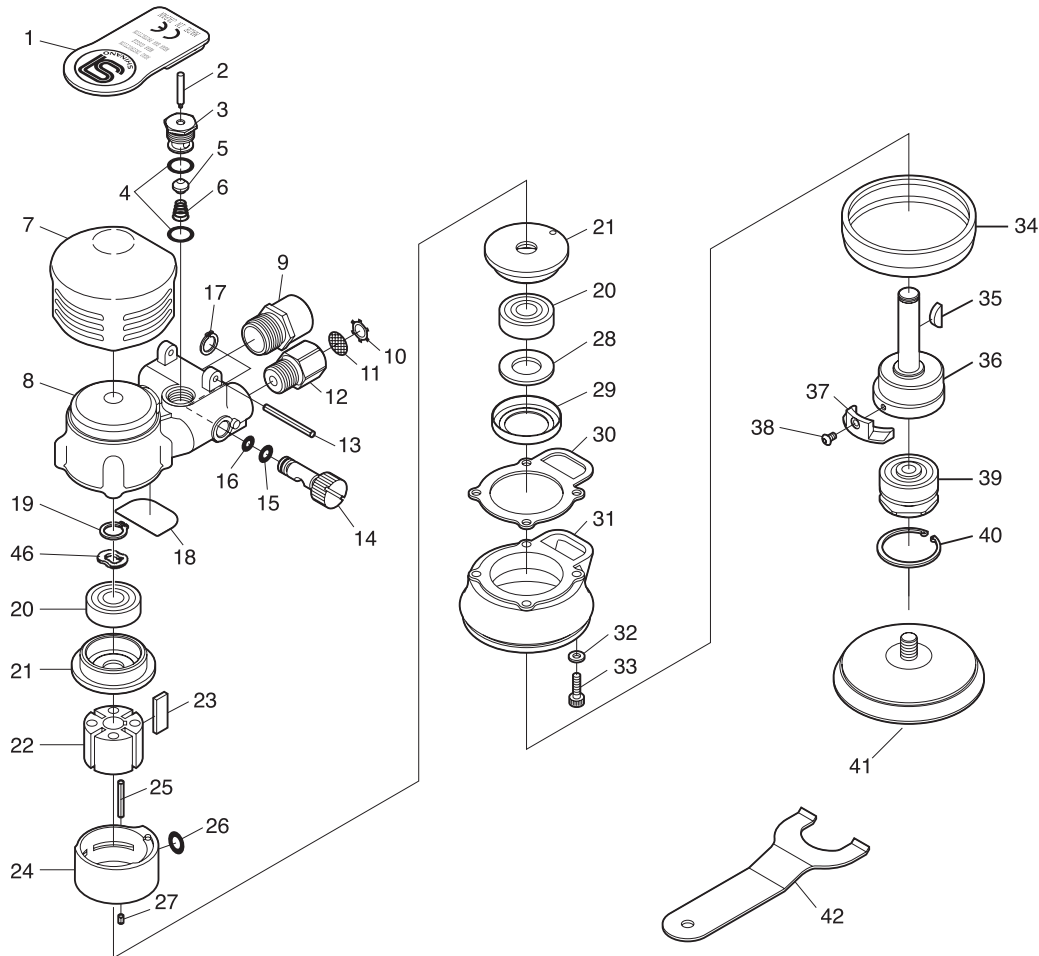


# SI-3102-M SZLIFIERKA OSCYLACYJNA 3"

## 3" Mni Dual Action Sander



Ref. No.	Parts No.	Description	Q'ty	Ref. No.	Parts No.	Description	Q'ty
1	1031-2	Throttle Lever	1	24	1031-4B	Cylinder	1
2	455-11	Valve Pin	1	25	25-24	Roll Pin (2.5_-24mm)	1
3	490-4	Valve Body	1	26	P-7	O-Ring	1
4	S-10	O-Ring	2	27	25-4	Roll Pin (2.5_-4mm)	1
5	455-21	Valve	1	28	570-1	Felt Ring	1
6	490-20	Valve Spring	1	29	1031-8	Seal Cover	1
7	1031-3	Housing Cover	1	30	1031-9	Motor Gasket	1
8	1031-1	Motor Housing	1	31	1031-10	Motor Retainer	1
9	1040-18AS	Muffler Assy.	1	32	1040-19	Washer	4
10	CRTW-12	Retainer	1	33	Z-632-127	Cap Screw	4
11	680-28A	Screen	1	34	1031-18	Pad Cover	1
12	180-1	Inlet Bushing	1	35	480-23	Key	1
13	30-32	Roll Pin (3_-32mm)	1	36	1031-16	Balancer Shaft	1
14	485-4A	Regulator	1	37	1031-17A	Balancer Weight	1
15	P-5	O-Ring	1	38	AZM30-50	Screw	1
16	P-4	O-Ring	1	39	1031-11AS	Random Shaft Assy incl. Felt, Spacer & Ball Bearing	1
17	JS-8	Retaining Ring	1	40	BO-28	Retaining Ring	1
18	1040-50	Cover Plate	1	41	1031-100	3" Velcro Pad	1
19	JS-10	Retaining Ring	1	42	1041-56	Spanner Wrench	1
20	6000-ZZ	Ball Bearing	2	46	WW-100	Wave Washer	1
21	1031-5	End Plate	2				
22	1031-12	Rotor	1				
23	1031-14	Rotor Blade	4				